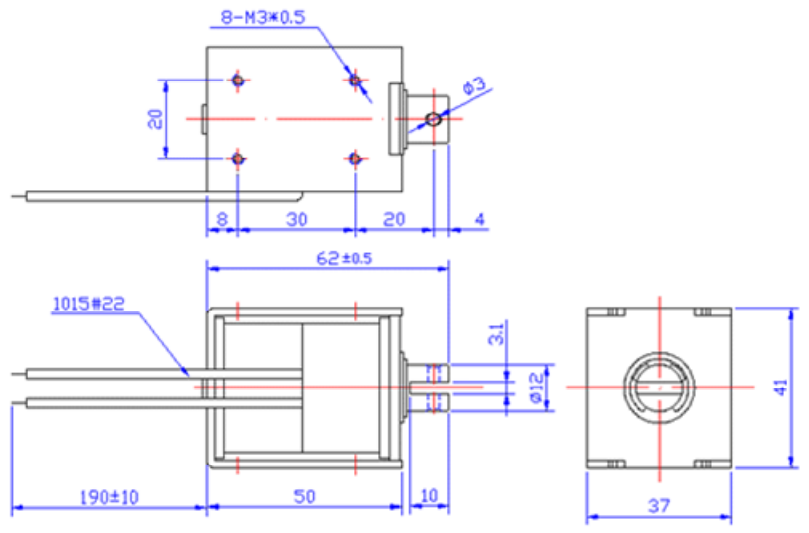
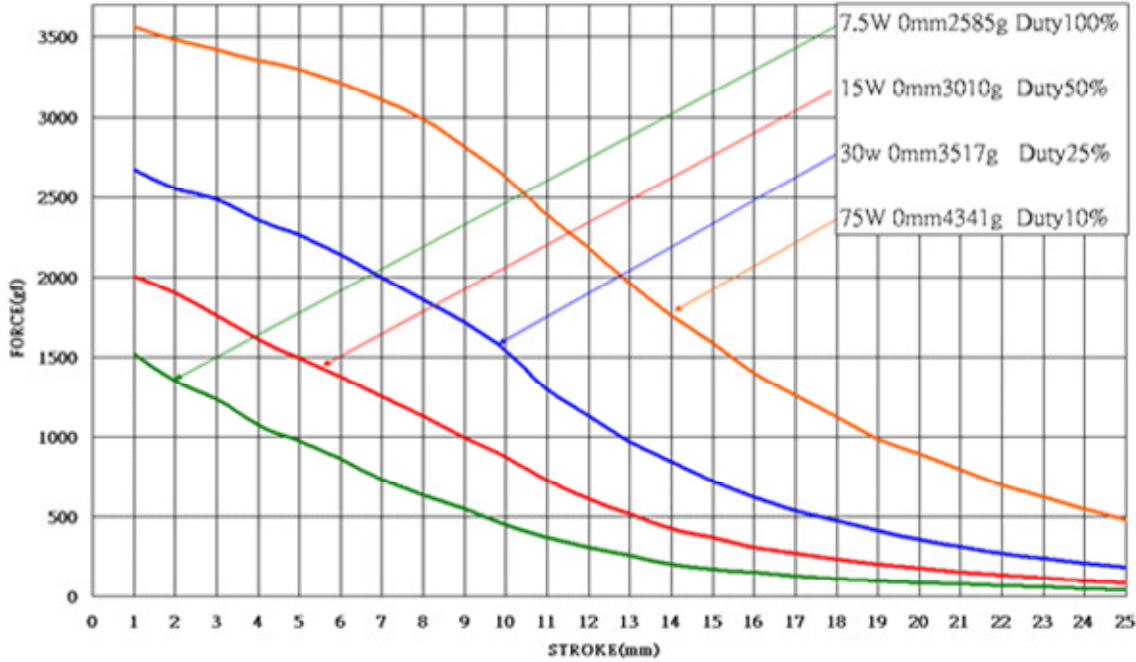


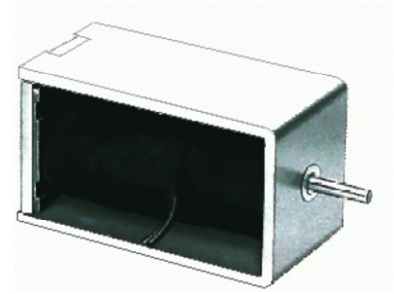
REVISIONS			
REV	DESCRIPTION	DATE	APPROVED



**SPECIFICATION**

Power at 100% Duty	7.5W
Max ON Time at 100%	Continuous
Power at 50% Duty	15W
Max ON Time at 50%	140 Seconds
Power at 20% Duty	30W
Max ON Time at 20%	50 Seconds
Power at 10% Duty	75W
Max ON Time at 10%	9 Seconds
Weight (g)	340

Illustrative Photo



		<b>FS-1250S Open Frame Solenoid (Push Type)</b>		
		iNOVA Microsystems Pte Ltd #06-30, NorthStar @ AMK 7030 Ang Mo Kio Ave Singapore 569880 Email: sales@inovamicro.com Tel: (65)65703826 Fax: (65)62344235		
DRAWN	Sunny	SIZE	FSCM NO	DWG NO
Dec 2011		A4		
SCALE				SHEET 1 OF 1

